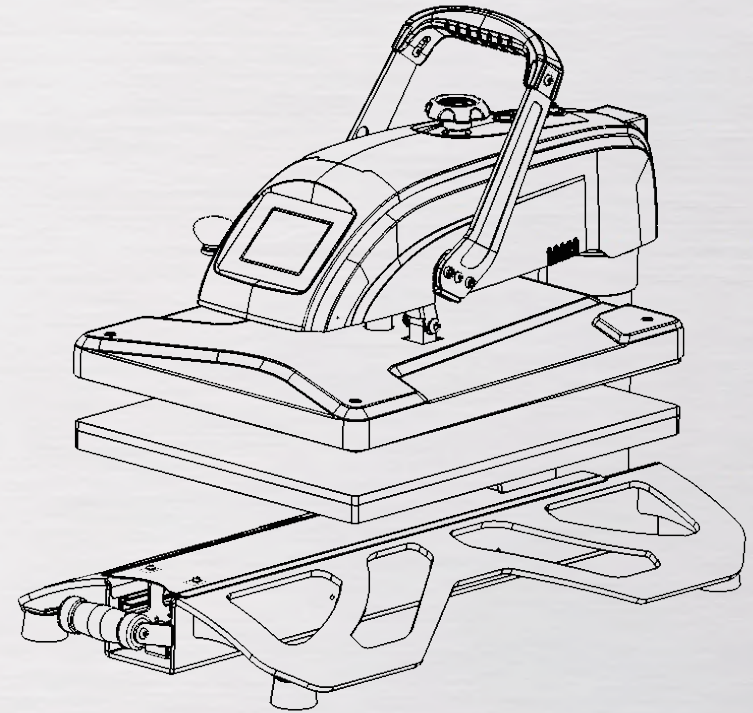




Start Your Business From Here



Welcome To Heat Press Paradise

Owners User Manual

NOTICE

Read Before Operation



1.Remove The Machine Out Of The Carton

Some heat press can be weight up to 60kg. Please be caution when you are lifting the machine out of the carton. It would be better ask for assistance and lift a heavy machine together.

2.Inspect The Machine Before Start

Please inspect the entire machine for any damages that could be potentially be a hazard. If you see any concerning issues, please contact us shortly.

3.Operation On Stable Location

Please make sure that machine is placed on a sturdy and even location. The sucker cups on the bottom can grip firmly on the smooth location, help to make sure machine sitting firmly.

4.Plug Machine Into Direct Electrical Outlet

Please plug the machine into a direct electrical outlet for stability. If an extension cord is required, make sure use a sufficient power strip to support the machine.

As for the voltage and current, Please take a view of the machine sticker.

5.Turn-off And Unplug The Machine

Please take off and unplug the machine when machine is not in use, it's for energy saving and safety purpose.

6.Caution Heat And Not Touching

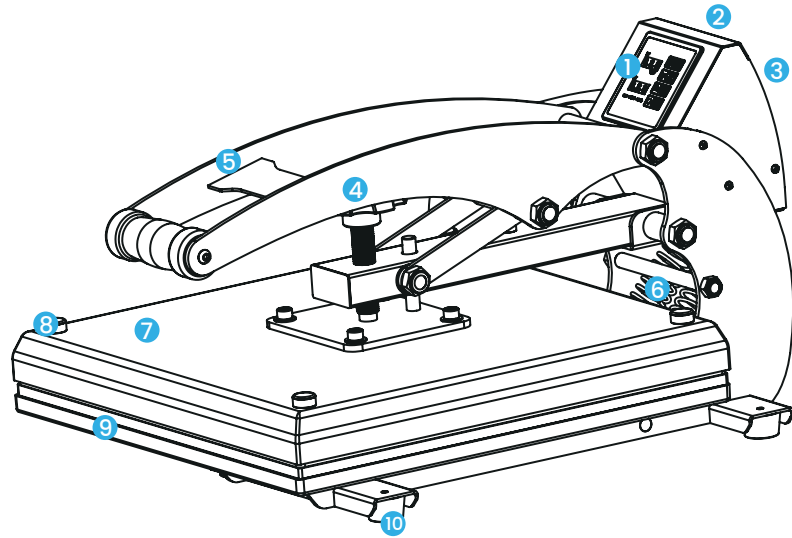
Please keep children away from the machine. Be caution during the operation and do not touch the heat plate or heat plate cover.

7.Several Trial Before Bulk Heat Pressing

Please have several trial to make sure the correct pressure, temperature and time before going forward the bulk heat transfer pressing.

CONTENTS

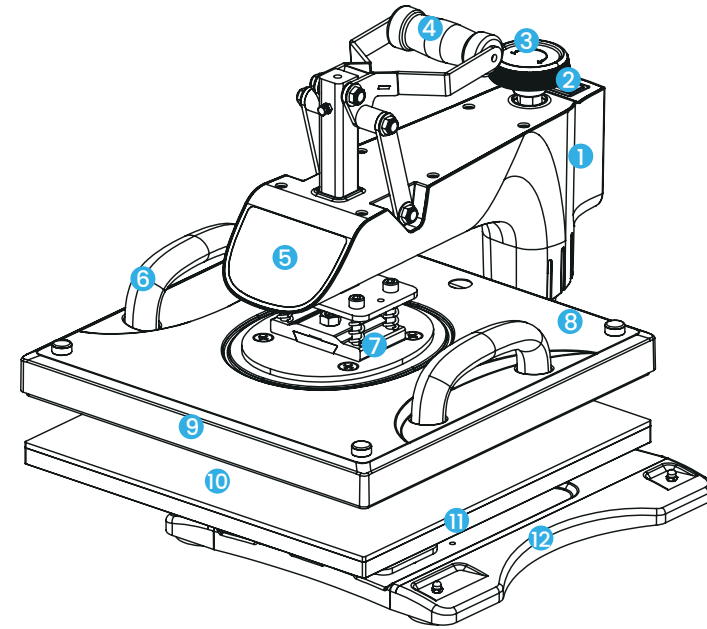
Manual Open Press.....	01
Combo Heat Press.....	02
Auto-open Heat Press.....	03
Swing-away Heat Press.....	04
Pneumatic Heat Press.....	05
Fully Automatic Press.....	06
Cap Heat Press.....	07
Digital Controller Operation.....	08
LCD Controller Operation.....	10
Guidance for Heat Transfer Press.....	13
Heat Transfer Material Guidance.....	15
Troubleshooting.....	16



- | | | | |
|----------------------|----------------|-------------------|------------------|
| 1 Controller Display | 2 Power Switch | 3 Thermal Breaker | 4 Pressure Knob |
| 5 Handle | 6 Springx2 | 7 Heating Platen | 8 Fire Rated Cap |
| 9 Lower Platen | 10 Suction Cup | | |

User Tips

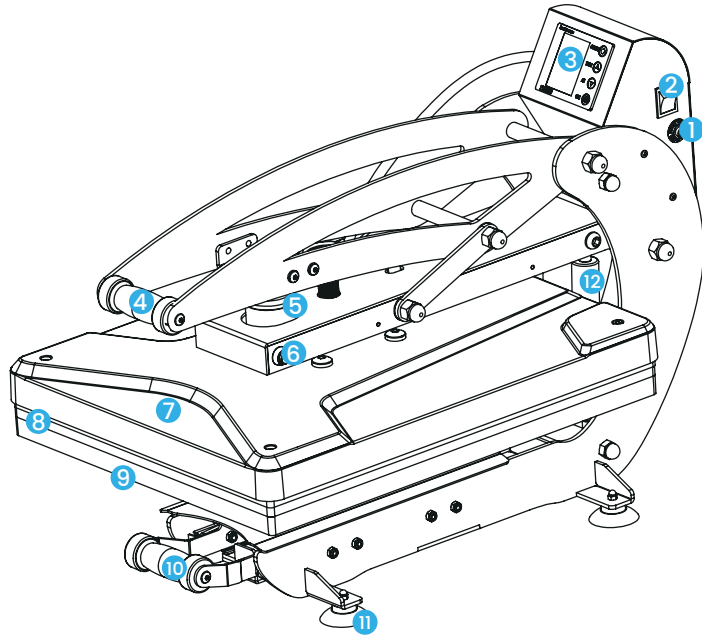
- Please hold the handle firmly when you are opening the heat press.
- Basic clamshell is not proposed for no cutting laser transfer paper which needs higher pressure.
- Clamshell heat press is proposed for thinner sublimation blanks application which is within 6 mm.
- Please be caution the heating plate when placing the sublimation blanks or T-shirts on the lower plate
- Maybe the machine you've carried is different from above drawing. While the application is almost the same. Please contact us if you need any help.



- | | | | |
|----------------------|-----------------|------------------|-------------------|
| 1 Power Plug | 2 Power Switch | 3 Pressure Knob | 4 Handle Grip |
| 5 Controller Display | 6 Assist Grip | 7 Changeable Kit | 8 Fire Resist Cap |
| 9 Heating Plate | 10 Silicone Mat | 11 Lower Plate | 12 Base Seat |

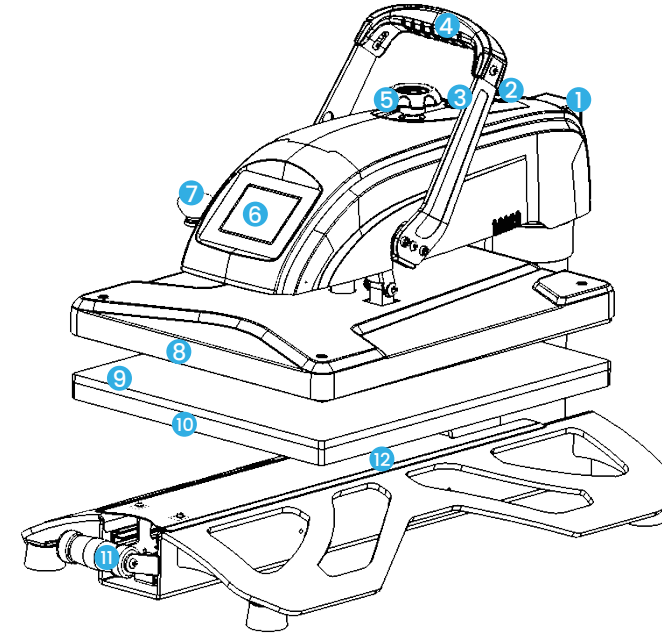
User Tips

- Please turn off the machine and wait it to be cold when you are going to change a heat plate
- Please make sure that machine is placed on a sturdy and even location
- Swing-away models need sufficient space, please make sure clear space from its right and the back .
- Maybe the machine you've carried is different from above drawing, Please contact us if you need any help.



Be careful with the pop open handle in case of hurting your chin

- | | | | |
|-------------------|------------------------|----------------------|---------------|
| 1 Thermal Breaker | 2 Power Switch | 3 Controller Display | 4 Handle Grip |
| 5 Magnetic Device | 6 Quick Release Button | 7 Heating Plate | 8 Silicon Mat |
| 9 Lower Plate | 10 Pull-out Drawer | 11 Suction Cup | 12 Air Shock |



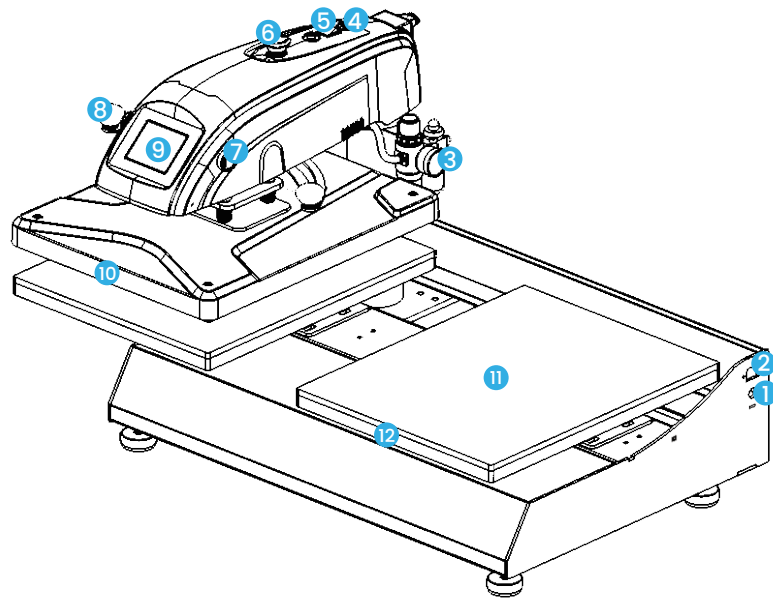
- | | | | |
|-----------------|----------------------|---------------------|------------------------|
| 1 Power Plug | 2 Thermal Breaker | 3 Power Switch | 4 Operation Handle |
| 5 Pressure Knob | 6 Controller Display | 7 Swing-away Handle | 8 Heating Plate |
| 9 Silicon Mat | 10 Lower Plate | 11 Pull-out Drawer | 12 Quick-change Device |

User Tips

- When magnetic heat press is not auto-opening after timing, please make sure sufficient pressure and try again.
- When the heating plate is always lying on silicon mat, that's the air shock leakage and you may contact us for help.
- When magnetic device is not working properly, please following instructions.
 - I. Feel magnetic with a metal tool Say, small wrench when control display is timing.
 - II. Adjust the round metal plate above electromagnet location a little down-forward.
- Maybe the machine you've carried is different from above drawing, while the major application is almost the same. Please contact us if you need any help.

User Tips

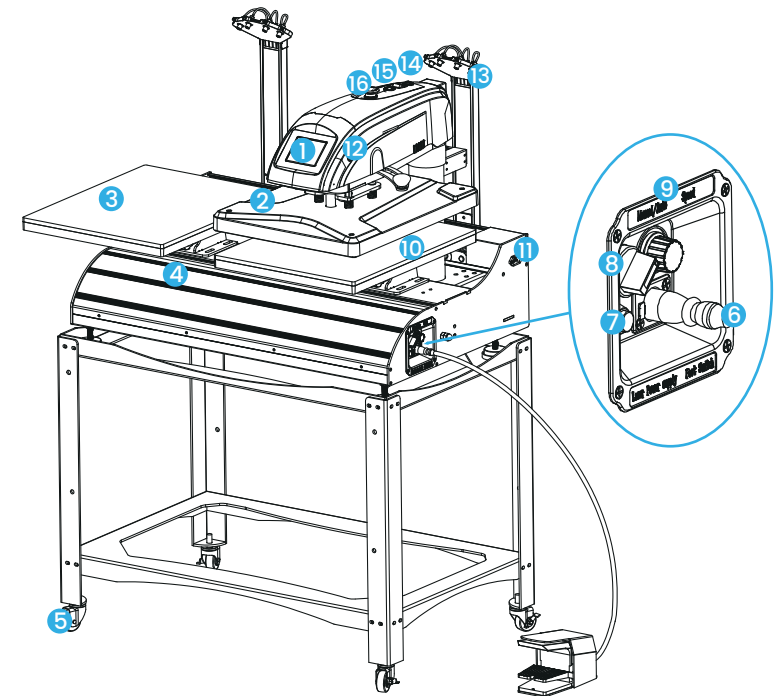
- Please hold the handle firmly when you are opening the heat press.
- Please make sure that machine is placed on a sturdy and even location
- Swing-away models need sufficient space, please make sure clear space from its right and the back .
- Maybe the machine you've carried is different from above drawing, i.e. with or without drawer. While the application is almost the same. Please contact us if you need any help.



- | | | | |
|----------------------|------------------------|---------------------|-------------------|
| 1 Power Plug | 2 Air Tube Outlet | 3 Air Regulator | 4 Thermal Breaker |
| 5 Power Switch | 6 Quick Release Button | 7 Operation Buttons | 8 Shuttle Handle |
| 9 Controller Display | 10 Heating Plate | 11 Silicon Mat | 12 Lower Plate |

User Tips

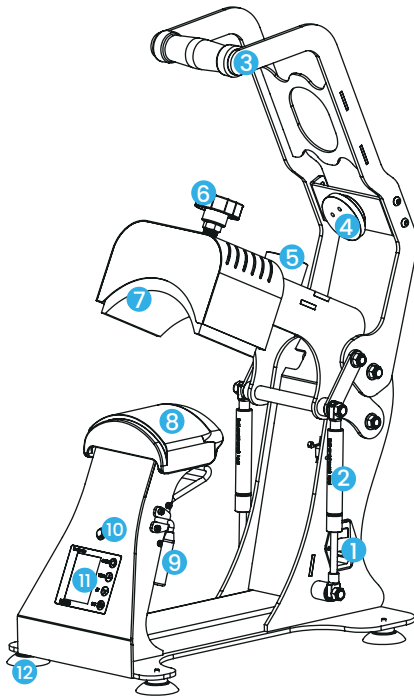
- 1/4 in. air hose & MNPT fittings are required to set up connection between air compressor and pneumatic heat press. (Air hose & MNPT fittings not include in order)
- At least 35L capacity, 140L/min flow oil free air compressor is recommended.
- Pneumatic heat press pressure can be adjusted by air regulator, 0.5-0.7Mpa is recommended.
- Please press the quick release button (it's also called emergency button) if you need raise up the heating plate during the heat pressing.
- Maybe the machine you've carried is different from above drawing, while the major application is almost the same. Please contact us if you need any help.



- | | | | |
|----------------------|----------------------|-----------------|-------------------------|
| 1 Controller Display | 2 Heating Platen | 3 Lower Platen | 4 Machine Frame |
| 5 Brake Caster | 6 Foot Pedal | 7 Laser Power | 8 Manual/Auto-Switch |
| 9 Speed Controller | 10 Silicone mat×2 | 11 Power Plug | 12 Operation Button×2 |
| 13 Laser location | 14 Thermal Breaker×2 | 15 Power Switch | 16 Quick Release Button |

User Tips

- Pause the release button, shuttle stops and heat platen raises up. After release button is reset and green buttons are clicked, heat platen will return back to initial left station as it may need.
- Semi-auto Mode (Switch to Manual), green buttons control heat platen close and raise, pedal control heat platen shuttle between left & right station.
- Automatic Mode (Switch to Auto), green buttons click to start the automatic mode according to the control system. (Tip: Pedal is disabled in Auto Mode.)
- Pedal can take place the function of the 2 green buttons and operate the machine.



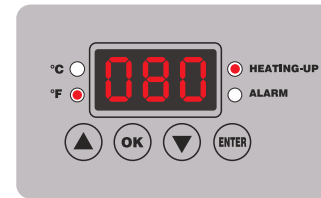
- 1 Power Plug 2 Air Shock 3 Mechanical Handle 4 Magnetic Device

- 5 Electromagnet 6 Pressure Knob 7 Cap Heating Plate 8 Cap Silicon Mat

- 9 Cap Holding Device 10 Quick Release Button 11 Controller Display 12 Suction Cup

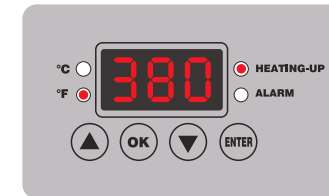
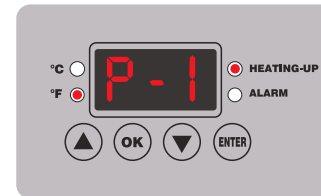
User Tips

- Please use cap holding device to extend cap's front area fully on cap silicon mat.
- Please usually be careful the heating element when you are holding the caps on the device.
- Maybe the machine you've carried is different from above drawing, i.e. clamshell or swing-away design. While the application is almost the same. Please contact us if you need any help.



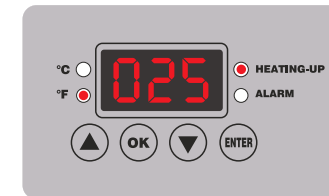
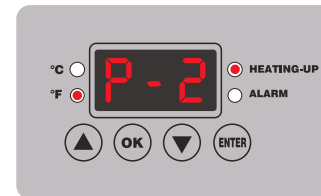
Control Display

Turn on the power switch, control panel display illuminates like picture.



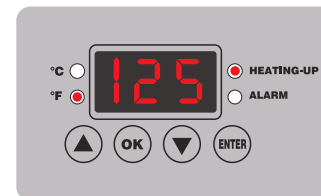
P-1 TEMP. Setting Mode

Press "SET" into "P-1", here you can set TEMP. with "▲" and "▼" reach to desired TEMP.



P-2 TIME Setting Mode

Press "SET" into "P-2", here you can set TIME. with "▲" and "▼" reach to desired TIME.



Setting Completed

Finally press "SET" to complete all setting, so heat press start to heating up.

User Tips

- P-3 is temperature scale in °C or °F, which is usually not illuminated on the display. Please contact our support for help if you need switch between °C and °F.



Control Display

Turn on the power switch, control panel display illuminates like picture.



Control Display

Turn on the power switch, control panel display illuminates like picture



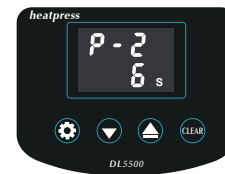
P-1 TEMP. Setting Mode

Touch "SET" into "P-1", here you can set TEMP. with "▲" and "▼" reach to desired TEMP.



P-1 TEMP. Setting Mode

Press "SET" into "P-1", here you can set TEMP. with "▲" and "▼" reach to desired TEMP.



P-2 TIME Setting Mode

Touch "SET" into "P-2", here you can set TIME. with "▲" and "▼" reach to desired TIME.



P-3 TEMP Scale Setting Mode

Touch "SET" into "P-3", here you can set TEMP. SCALE with "▲" and "▼" reach to desired SCALE.



P-2 TIME Setting Mode

Press "SET" into "P-2", here you can set TIME. with "▲" and "▼" reach to desired TIME.



P-4 Stand-by Mode

Touch "SET" into "P-4", here you can set stand-by time with "▲" and "▼" reach to desired value with range 0-120minutes. (0 refers to stand-by disabled)



Finally touch "SET" to complete all setting, so heat press start to heating up.



Setting Completed

Finally press "SET" to complete all setting, so heat press start to heating up.



Stand-by Introduction

It reads OFF on the display and heat press starts to cool down. Stand-by only happens when machine is not in use and reaches to P-4 set minutes. If you want to use heat press, please wake up heat press by touch any button on the control display.

User Tips

Please follow bellow guidance if your controller has P-3, P-4 and P-5 settings.

P-3: Temperature scale between °C and °F

P-4: Temperature calibration, here you can calibrate temperature difference by increase or decrease the read-out.

- P-4 digit becomes 10°F if heat platen is 10°F hotter than controller readout.
- P-4 digit becomes -10°F if heat platen is 10°F cooler than controller readout.

P-5: Pr-alarm, here you can set pr-alarm second. Say. 3 seconds and controller will beep 3 seconds before timing finished.

User Tips

- P-3 is temperature scale in °C or °F, which is usually not illuminated on the display. Please contact our support for help if you need switch between °C and °F.



Control Display

Turn on the power switch, control panel display illuminates like picture



P-1 TEMP. Setting Mode

Touch "SET" into "P-1", here you can set TEMP. with "▲" and "▼" reach to desired TEMP.



P-2 TIME Setting Mode

Touch "SET" into "P-2", here you can set TIME. with "▲" and "▼" reach to desired TIME.



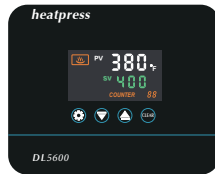
P-3 TEMP Scale Setting Mode

Touch "SET" into "P-3", here you can set TEMP. SCALE with "▲" and "▼" reach to desired SCALE.



P-4 Stand-by Mode

Touch "SET" into "P-4", here you can set stand-by time with "▲" and "▼" reach to desired value with range 0-120minutes. (0 refers to stand-by disabled)

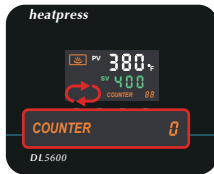


Finally touch "SET" to complete all setting, so heat press start to heating up.



Stand-by Introduction

It reads OFF on the display and heat press starts to cool down. Stand-by only happens when machine is not in use and reaches to P-4 set minutes. If you want to use heat press, please wake up heat press by touch any button on the control display.



Counter Introduction

The control display counter increases one time after a circle of timing which helps you to record how many T-shirt you've transferred. If you want to clear up the number, please long hold the CLEAR button.



Control Display

Turn on the power switch, control panel display illuminates like picture



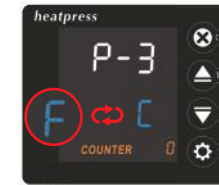
P-1 TEMP. Setting Mode

Touch "SET" into "P-1", here you can set TEMP. with "▲" and "▼" reach to desired TEMP.



P-2 TIME Setting Mode

Touch "SET" into "P-2", here you can set TIME. with "▲" and "▼" reach to desired TIME.



P-3 TEMP Scale Setting Mode

Touch "SET" into "P-3", here you can set TEMP. SCALE with "▲" and "▼" reach to desired SCALE.



P-4 Stand-by Mode

Touch "SET" into "P-4", here you can set stand-by time with "▲" and "▼" reach to desired value with range 0-120minutes. (0 refers to stand-by disabled)



Finally touch "SET" to complete all setting, so heat press start to heating up.



Stand-by Introduction

It reads OFF on the display and heat press starts to cool down. Stand-by only happens when machine is not in use and reaches to P-4 set minutes. If you want to use heat press, please wake up heat press by touch any button on the control display.



Counter Introduction

The control display counter increases one time after a circle of timing which helps you to record how many T-shirt you've transferred. If you want to clear up the number, please long hold the CLEAR button.

User Tips

- "OFF" on the controller display refers to AUTO-OFF, you can press any button to wake the machine.
- CLEAR on the control panel is the clearing button to refresh the COUNTER.

User Tips

- "OFF" on the controller display refers to AUTO-OFF, you can press any button to wake the machine.
- CLEAR on the control panel is the clearing button to refresh the COUNTER.

❖ Heating Platen Size

Regarding the output size, please make sure the chosen heating platen size is larger than the graphics substrates, it's recommended to leave about 1" or 2.5cm distance from substrate's edge to heating platen edge.

- US Letter: 216 x 279mm/ 8.5" x 11"
- A4: 210 x 297mm/ 8.3" x 11.7"
- A2: 420 x 594mm/ 16.5 x 23.4"
- Tabloid: 279 x 432mm/ 17" x 11"
- A3: 297 x 420mm/ 11.7" x 16.5"

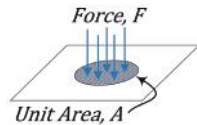
❖ Four Secrets for Heat Transfer Results



Accurate & Even Heat Distribution



Accurate Timing Display Reference



Even Distribution & Sufficient Pressure



Correct Application for Cold or Hot Peel

❖ Preheat Silicon Mat & Remove Wrinkles

To make consistent heat transfer process, for first time heat pressing, it's well recommended to preheat the silicon for 30-60 seconds to ensure more even temperature distribution. When you move forward to sublimate or heat transfer graphics onto your substrates, especial the fabrics products, you'd better to preheat the fabrics products to remove the wrinkles before you put the graphics design on and heat press it.

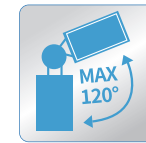
❖ Teflon Sheet Makes Difference

Teflon sheet is a kind of non-stick sheet that help your substrates, especial when you are applying for dark Ink-jet heat transfer paper. Otherwise the graphics could be stacked on heating platen easily, please keep clam if this case happens, and do not use sharp tools to scratch the graphics as the Teflon coating on heating platen will be scratched. Just wait till heating platen cools down complete and try to peel the paper from edge.

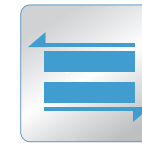
❖ Fully Use Your Machine Characters



Clamshell



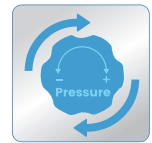
Swing-away



Slide Drawer



Semi Auto-open



Over-The-Center-Pressure



Changeable



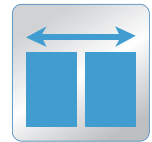
Threadable



Pneumatic



Electronic



Twin Station

- ▶ **Clamshell:** Save space and cost friendly
- ▶ **Swing-away:** Rotation for heat-free workplace
- ▶ **Slide Drawer:** Slide base for heat-free workplace
- ▶ **Semi Auto-open:** Save labor and more efficient
- ▶ **OTC Pressure:** Even & larger pressure distribution
- ▶ **Changeable:** Make multifunctional jobs realized
- ▶ **Thread-able:** Avoid the back side from the heat
- ▶ **Pneumatic:** Hands-free and efficient
- ▶ **Electric:** Hands-free, efficient and quiet
- ▶ **Twin Station:** Working efficient & save labor

❖ Small Accessories Make Big Differences

Our company also provide with heat press accessories, you can order depending on your needs.

- Teflon Sheet: Non-sticky protection for substrates and heating platen, to avoid burn or stacked.
- Tee Square: Alignment tool helps align the graphics on substrates. If you are considering more professional tool, you may consider HD red laser alignment which has better performance.
- Teflon Pillows: Soft Teflon pillow is recommended if sublimated garments have buttons or zippers.
- Accessories Plates: Accessories plates are recommended if your machine have interchange system and you also need smaller plates to do more jobs like trousers, sleeve, label and shoes, etc.
- Lower Plate Covers: These lower plate cover size available in regular sizes, they are well recommended if your heat press has thread-able base, which enable you to thread your garments easily.

Transfer Material	Substrates	Temperature	Time	Pressure	Mirror Printed	Trim
Sublimation Paper	100% Polyester Textiles	200°C / 400°F	30-50 sec.	Medium	Yes	No
	30% Cotton & 70% Poly	200°C / 400°F	30-50 sec.	Medium	Yes	No
	Non-woven Fabric	200°C / 400°F	30-50 sec.	Medium	Yes	No
	Orca Coated Blanks	200°C / 400°F	30-40 sec.	Medium	Yes	No
Inkjet Heat Transfer Paper (Light Color)	Cotton, Polyester or Blends	175°C / 350°F	20-25 sec.	Medium	Yes	No
Inkjet Heat Transfer Paper (Dark Color)	Cotton, Polyester or Blends	190°C / 375°F	20-25 sec.	Medium	No	No
Laser Heat Transfer Paper (Light Color)	Cotton, Polyester or Blends	175°C / 350°F	20-25 sec.	Medium	Yes	No
Laser Heat Transfer Paper (Dark Color)	Cotton, Polyester or Blends	190°C / 375°F	20-25 sec.	Medium	No	Yes
PU Heat Transfer Vinyl	Cotton, Polyester or Blends	155°C / 310°F	10-15 sec.	Light	No	Yes
Printable	Cotton, Polyester or Blends	155°C / 310°F	10-15 sec.	Light	No	No
Tagless Heat Transfers	Cotton, Polyester or Blends	190°C / 375°F	15-20 sec.	Heavy	No	No
Offset Heat Transfer	Cotton, Polyester or Blends	165°C / 330°F	15-20 sec.	Light	No	No
Trim-free Laser Transfer Paper (Light)	Cotton, Polyester or Blends	190°C / 375°F	25-30sec.	Heavy	Yes	No
Trim-free Laser Transfer Paper (Light + Dark)	Cotton, Polyester or Blends	Step 1. 120°C / 250°F+25-30 sec. Step 2. 190°C / 375°F+25-30 sec.		Heavy	Yes	No
Rhinestones	Cotton, Polyester or Blends	165°C / 330°F	15-20 sec.	Medium	No	No

Above parameters come from heat transfer material suppliers and may vary depending on different material supplier. You are recommended to have several trials to make sure correct temperature, time and pressure.

Q: Heat press does not turn on after plug and play.

A: Please make sure the power plug and socket fitting firmly. If machine is still not able to turn on, this could be loose connection on wire cable, power switch or thermal breaker. Please contact us for spare parts and technical support.

Q: Heat press shuts off during use.

A: This could be thermal breaker tripping for circuit protection, you will need to wait for few minutes and try again. If machine does not turn on, check both the power switch and thermal breaker, you will need to replace either power switch or thermal breaker after troubleshooting.

Q: Timer does not start.

A: This could be control panel failed or timing switch loose connection or activation failed. Please contact us for spare parts and technical support.

Q: Auto-open model does not working properly.

A: Please see user tips for auto-open model on page 3, on that page, we will introduce auto-open model no pop open and not locking down properly, etc. Please contact us if you need more help.

Q: Controller display reads 000

A. This can either be an issue with controller display or heat sensor wire. If heat sensor wire is damaged or disconnected, you will need to replace a new wire. Anyway please contact us for technical support.

Q: During the sublimation or heat transfer application, sublimation rate is low, or heat transfers are not fully stacked on the substrates.

A: Please make sure sublimation or heat transfer application under correct temperature, time and pressure. Please take a video or several pictures and consult us if problem is not solved.

Q: The transfers are stacked on the heating platen.

A: Transfers like dark ink-jet transfer paper could be stacked on heating platen, you should use a Teflon sheet to cover the transfer paper. Please wait till heating platen cools down complete and try to peel the paper from edge.

Q: Difficult to peel off the heat transfer paper or vinyl.

A: Please make sure heat transfer materials are warm peel or cold peel, and try to peel off them accordingly.